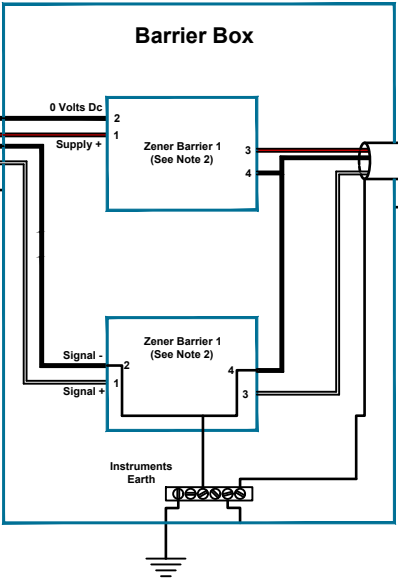
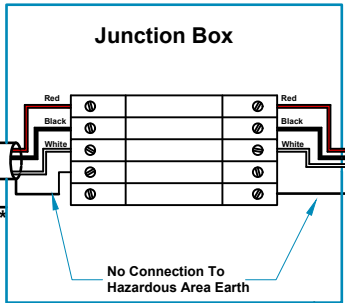


Non-hazardous area apparatus which is unspecified except that it must not be supplied from nor contain under normal or abnormal conditions, a source of potential with respect to earth in excess of 250 volts rms or 250 volts dc. under normal conditions the potential at the connections to the zener barrier must not exceed 40 volts dc.



See Table 1



\*\*Outer shield only connected to chassis via Ex approved cable gland



**Hansford Sensors Ltd**  
**HS-104I Series Accelerometer System**

Certificate details: Group II

IECExBAS18.0095X  
 Baseefa18ATEX0157X  
 © II 1G  
 Ex ia IIC T6...T4 Ga

500V Isolation

Units Will Pass A 500V Isolation Test

Certified temperature range

Ex ia IIC T6 Ga (-55°C ≤ Ta ≤ +66°C) (Gas)  
 Ex ia IIC T4 Ga (-55°C ≤ Ta ≤ +116°C) (Gas)

Terminal Parameters Connector

Ui = 12V, li = 160mA, Pi = 0.48W  
 Ci = 494nF, Li = 0

Isolators/Zener Barriers

Ui ≥ Uo  
 li ≥ lo  
 Pi ≥ Po  
 Co ≥ Ci + Ccable  
 Lo ≥ Li + Lcable

Terminal Parameters 92m of Cable

Ui = 12V, li = 160mA, Pi = 0.48W  
 Ci = 529nF, Li = 66µH

Special Conditions of use: When a sensor is supplied with integral cable, this must be terminated in an enclosure providing at least degree of protection IP20. The equipment is reduced with reduced certification markings. Refer to the Certificate Schedule for full certification marking and applicable temperature classification associated ambient temperature range. The screen of the cable is not to be connected to the barrier in the Safe Area, it must be connected in the Hazardous area only.

Note: If the equipment is to be used in unusual environments or aggressive substances are likely to be encountered, contact the manufacturer to discuss suitability.

**Notes:**

- The cable from the accelerometer to the junction box must not be installed in a high velocity dust laden atmosphere
- Zener diode safety barrier (1) certified by an ec approved body to [EEx ia] IIC having the following output parameters: Uo = 12V dc, lo = 80mA dc, Po = 0.48W. e.g. MTL7766ac to BAS01ATEX7217
- The installer is to perform a risk assesment in accordance with clause 10 of EN 60079-25 and install lightning protection arrestors as deemed necessary.

Rev No	DRF No	Date Drg	Drg By	Appd By	Material: N/A
A	Release	15/03/19	MJS	CMH	

Tolerances Unless Stated  
 0 or 0.0 ±0.5  
 0.00 ±0.15  
 Angle ±5°  
 1.6/√ Finish All Over  
 Threads g6 H6

**Hansford Sensors**  
 Excellence in Vibration Monitoring

Hansford Sensors Ltd  
 Artisan, Hillbottom Rd  
 Sands Industrial Estate  
 High Wycombe  
 Bucks HP12 4HJ

**Do Not Scale**

All Dimensions In mm Unless Otherwise Stated

**If In Doubt - Ask!**

Description: **System Connections For HS-104I Group II Cable/Connector Options Accelerometers F.U.W. Zener Barrier**

Drawing No: **M06-091-A**

Scale: **NTS**  
 Sheet: **1 of 1**

Form Number: **QF024 Issue 1**