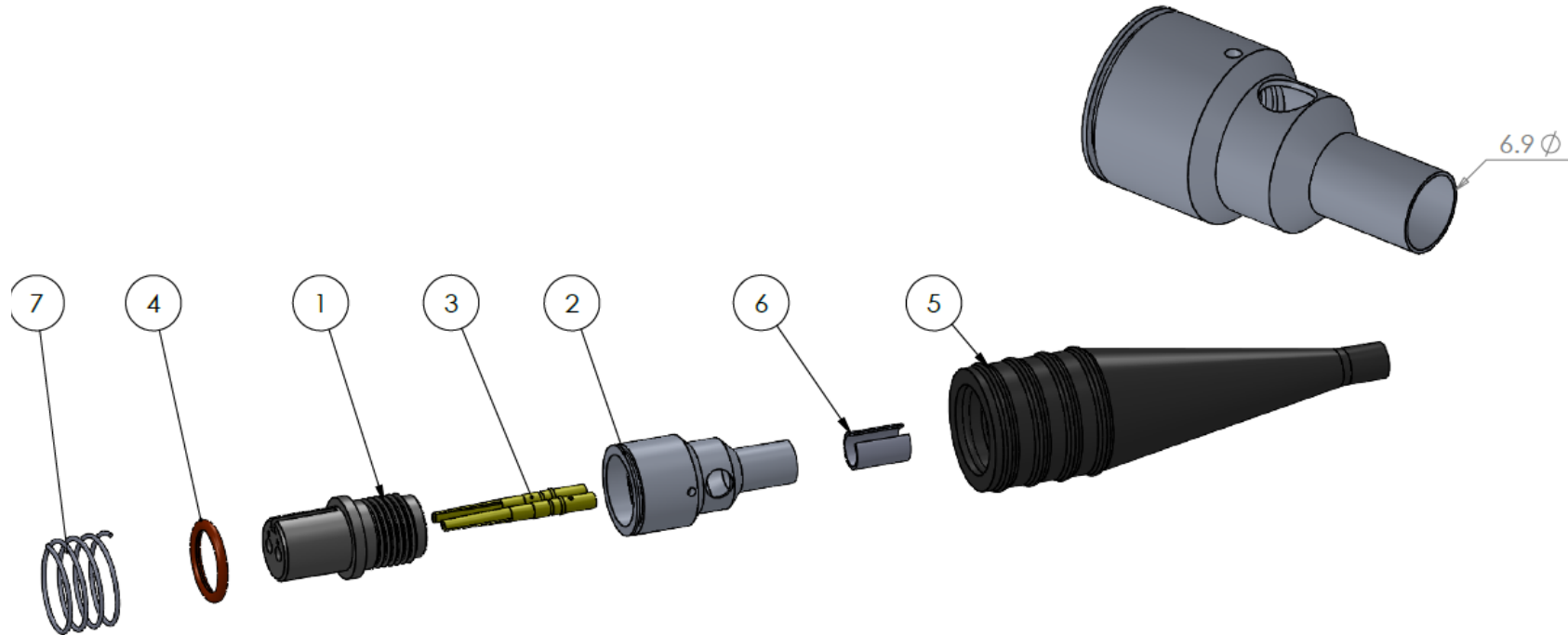


HS-AA113 - Connector Kit



Specifications	
Connector Style	MIL-C-5015, Multi-conductor
Connection Type	2 Socket, Jack (female socket)
Coupling Method	Push On
Strain Relief	Moulded Boot
Max Temperature Rating	150°C
Ingress Protection	Moulded Boot
Enclosure Rating	IP68

Item No.	8 YgW]d]cb	E HM'
1	2 Way Moulded Socket (Glass filled Nylon 015849)	1
2	Turned Backshell (Sigma ChipA6-T9) Chromate coversion plated. CLASS 3 ROHS COMPLIANT	1
3	Gold Plated Socket	2
4	O Ring BS013 10.82 X 1.78 (ref S013R700) (RED SILICONE)	1
5	Moulded Boot Hans203 4.2mm entry (Sarlink 3170)	1
6	Crimp ring ferrule 10mm x 6.7 Ø Chromate coversion plated. CLASS 3 ROHS COMPLIANT	1
7	17.0mm Ø x 4 turns natural finnish spring steel	1